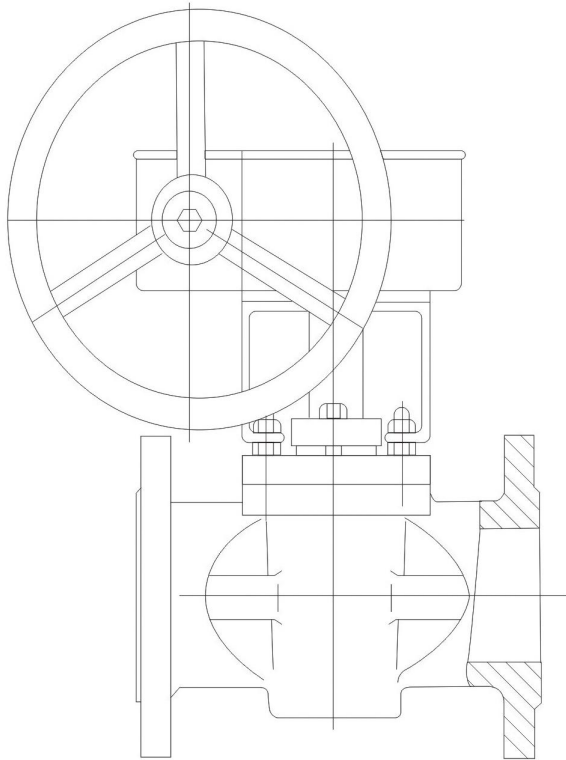


Self-Lubricated Plug Valve Class 150-600

Gate Valve, Globe Valve, Plug Valve, Check Valve, Butterfly Valve, Power Station Valve, Oilfield Dedicated Valve Y-Strainer.



STANDARDS

Design and manufacture: API 6D ANSI B16.34

Face to face dimensions: ANSI B16.10

End flange dimensions: ANSI B16.5

Test: API 6D or API 598

Type of connection

R F and RTJ flange ends to ANSI B16.5 standard.

BW flange ends to ANSI B16.25 standard

Type of operation

Lever

Connection dimensions of worm Gear actuator,

Electric actuator,

Pneumatic actuator to ISO 5211 standard

Anti-static Electricity constructions "AS" and

Fire-safe constructions "FD"

Material List

No	Part Name	Carbon Steel		Stainless Steel			
		WCB	LCB	CF8	CF8M	CF3	CF3M
1	Body	A216WCB	A352LCB	A351 CF8	A351 CF8M	A351 CF3	A351 CF3M
2	Bonnet	A216WCB	A352LCB	A351 CF8	A351 CF8M	A351 CF3	A351 CF3M
3	Plug	A105/Ep.Cr	A182 F304	A351 CF8	A351 CF8M	A351 CF3	A351 CF3M
4	Stem	A182 F6	A182 F6	A182 F304	A182 F316	A182 F304L	A182 F316L
5	Seat Ring	PTFE					
6	Gasket	PTFE or Stainless Steel and Graphite					
7	Stem seat	PTFE	PTFE	PTFE	PTFE	PTFE	PTFE
8	Small spring	17-17PH(inconel for NACE)Ni-Cr Alloy					
9	Small ball	A182 F304 A182 F316					
10	Gland	A 182 F6	A 182 F6	A 182 F304	A 182 F316	A 182 F304L	A 182 F316L
11	Gland flange	A216WCB	A352LCB	A351 CF8	A351 CF8M	A351 CF3	A351 CF3M
12	Stem packing	PTFE or Graphite					
13	Bonnet Bolt	A193 B7 A320L7 A320 B8 A193B8M					
14	Bonnet Nut	A194 2H A194 4 A194 8					

The material is according to ASTM standard

Self-Lubricated Plug Valve Class 150-600

Gate Valve, Globe Valve, Plug Valve, Check Valve, Butterfly Valve ,
Power Station Valve ,Oilfield Dedicated Valve Y-Strainer.

Dimensions and Weights

CLASS 150													
DN	mm	15	20	25	40	50	65	80	100	150	200	250	300
NPS	in	1/2	3/4	1	1	2	2 1/2	3	4	6	8	10	12
L(RF)	mm	108	117	127	165	178	191	203	229	394	457	533	610
	in	4.25	4.6	5	6.5	7	7.5	8	9	15.5	18	21	24
L1(BW)	mm	140	152	165	190	216	241	283	305	457	521	559	635
	in	5.5	6	6.5	7.48	8.5	9.5	11.13	12	18	20.5	22	25
L2(RTJ)	mm	119	129.7	139.7	178	191	203	216	241	406	470	546	622
	in	4.69	5.11	5.5	6.9	7.5	8	8.5	9.5	16	18.5	21.5	24.5
H	mm	59	63	75	92	153	165	195	213	272	342	495	580
	in	2.3	2.5	2.95	3.74	6.02	6.5	7.68	8.39	10.7	13.5	19.5	22.85
Do(W)	mm	130	130	160	230	400	400	600	850	1100	1500	*350	*350
	in	5.1	5.1	6.3	9	15.74	15.74	23.62	33.46	43.3	59	13.8	13.8
RF(Kg)		2.3	3	4.5	7	15	20	25	40	97	160	240	390
BW(Kg)		2.0	2.5	3.8	5.8	12	17	21	36	92.8	154	227	365

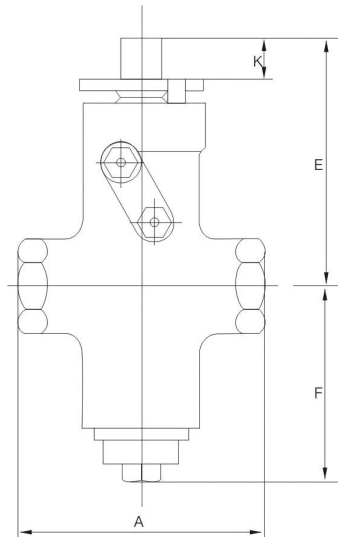
CLASS 300												
DN	mm	15	20	25	40	50	65	80	100	150	200	
NPS	in	1/2	3/4	1	1 1/2	2	2 1/2	3	4	6	8	
L(RF)	mm	140	152	165	190	216	241	283	305	403	502	
	in	5.5	5.98	6.5	7.48	8.5	9.5	11.13	12	15.88	19.75	
L1(BW)	mm	140	152	165	190	216	241	283	305	457	521	
	in	5.5	5.98	6.5	7.48	8.5	9.5	11.13	12	18	20.5	
L2(RTJ)	mm	151	164.7	177.7	202.7	232	257	298	321	419	518	
	in	5.95	6.48	7	8	9.13	10.13	11.75	12.63	16.5	20.39	
H	mm	59	63	75	107	153	165	195	213	272	342	
	in	2.3	2.5	2.95	4.2	6.02	6.5	7.68	8.39	10.7	13.5	
Do(W)	mm	130	130	160	230	400	400	600	850	1100	1500	
	in	5.1	5.1	6.3	9	15.74	15.74	23.62	33.46	43.3	59	
RF(Kg)		2.5	3.5	5.5	10.5	20	25	31	52	118	200	
BW(Kg)		2.1	3	4.8	8.7	17	22	28	48	105	185	

CLASS 600									
DN	mm	15	20	25	40	50	65	80	
NPS	in	1/2	3/4	1	1 1/2	2	2 1/2	3	
L(RF)	mm	165	190	216	241	292	330	356	
	in	6.5	7.48	8.5	9.5	11.5	13	14	
L1(BW)	mm	165	190	216	241	292	330	356	
	in	6.5	7.48	8.5	9.5	11.5	13	14	
L2(RTJ)	mm	163.4	190	216	241	295	333	359	
	in	6.43	7.48	8.5	9.5	11.63	13.13	14.13	
H	mm	59	63	75	107	153	165	195	
	in	2.3	2.5	2.95	4.2	6.02	6.5	7.68	
Do(W)	mm	130	160	160	230	600	850	1250	
	in	5.1	6.3	6.3	9	23.62	33.46	49.25	
RF(Kg)		7.5	10.5	14.5	18.5	38	56	66	
BW(Kg)		6	8.7	11	14.7	31	49	58	

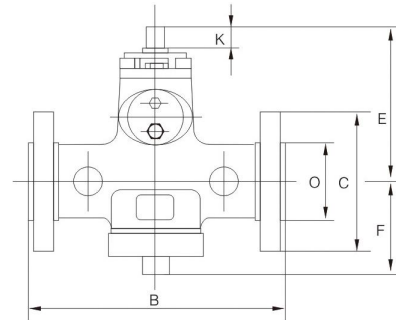
*Worm Gear or Electric Actuator Operated.

Class 150-300 Pressure Balanced Plug Valve

Gate Valve, Globe Valve, Plug Valve, Check Valve, Butterfly Valve, Power Station Valve, Oilfield Dedicated Valve Y-Strainer.



Valve designed to API 6D AND API 599
 Valve tested to API 6D and API 598
 Face to face to API 6D and ANSI B16.10
 Flanged ends to ANSI B 16.5
 Screwed ends to ANSI B1.20.1



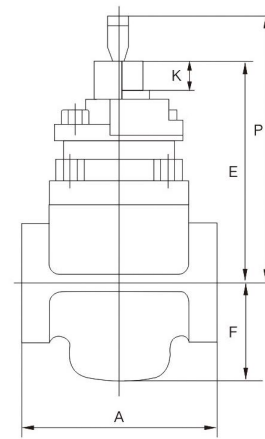
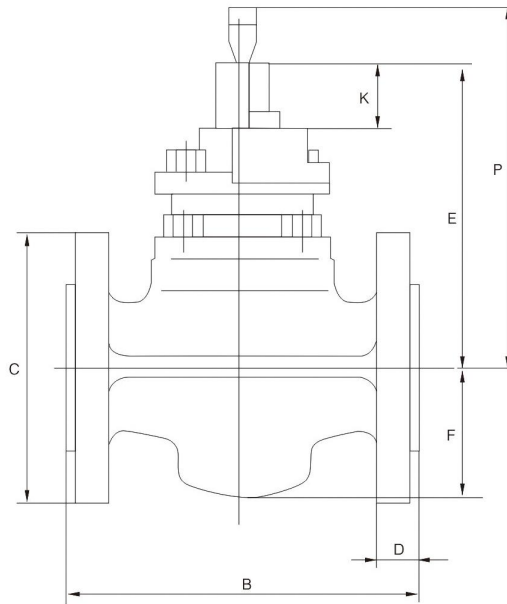
Dimensions and Weights

Class	Size	1/2"	3/4"	1"	1 1/2"	2"	2 1/2"	3"	4"	6"	8"	10"	12"
150	A	89	133	133	229	229							
	B					178	191	203	229	267	292	330	256
	C					152	178	191	229	279	343	406	483
	D					19	22.4	23.8	23.8	25.4	29	31	32
	E	104	127	127	174	174		219	235	220	370	550	480
	F	76	97	97	126	126		161	179	209	264	311	359
	O	34.9	42.9	42.9	73	92	105	127	157	216	270	324	381
	Weight(SW)	2.5	6.8	6.8	22	24.5							
300	B				191	216	241	283	305	403	419	457	502
	C				156	165	191	210	254	318	381	445	521
	D				20.6	22.2	25.4	28.3	31.8	36.5	41.3	47.6	50.8
	E				169	178		219	235	362			
	F				106	118		143	165	187	248	300	392
	O				73.0	92.1	105	127	157	216	270	324	381
	Weight(RF)				16	21		38	60	101	192	281	508
	600	A	89	133	133	229	229						
B		165	190	190	241	292		356	432	559	660	787	838
C		95.3	117	117	156	195		210	273	356	419	508	559
D		20.6	22.3	22.3	28.6	31.8		38.2	44.5	54.0	62.0	70.0	73
E		104	127	127	176	176		217	232				
F		76	97	97	116	116		143	165	548	298	313	375
O		34.9	42.9	42.9	73	92	105	127	157	216	270	324	381
Weight(SW)		2.5	6.8	6.8	22	24.5		41	51	168	284	412	488
Weight(RF)	5.3	9.0	9.0	49	54		46	85	254	406	584	620	

Class 150-300 Lubricated(Metal Seal) Plug Valve

Gate Valve, Globe Valve, Plug Valve, Check Valve, Butterfly Valve ,
Power Station Valve ,Oilfield Dedicated Valve Y-Strainer.

Valve designed to API 6D AND API 599
Valve tested to API 6D and API 598
Face to face to API 6D and ANSI B16.10
Flanged ends to ANSI B 16.5
Screwed ends to ANSI B1.20.1



Dimensions and Weights

Class	Size	1/2"	3/4"	1"	1 1/2"	2"	2 1/2"	3"	4"	6"	8"	10"	12"	
150	A	95	95	111	133	165	191	203						
	B	130	130	140	165	178	191	203	229	267	292	330	356	
	C	89	98.4	108	127	152	178	191	229	279	348	406	483	
	D	9.53	12.7	14.3	17.5	19	22.4	23.9	23.9	25.4	29	31	32	
	E	100	100	114	152	152	176	208	230	293	327	364		
	F	48	48	49	70	71	87	102	114	160	179	219	289	
	C	34.9	42.9	50.8	73	92	105	127	157	216	270	324	381	
	P	157	157	171	210	225	265	297	324	414	449	483		
	Weight(SW)	3.2	3.2	5.0	8.1	13	23	27						
	Weight(RF)	3.6	3.6	6.3	10	19	25	32	36	86	118	181		
300	A	95	95	111	133	165	191	203						
	B	140	140	159	191	216	241	283	305	403	419	457	502	
	C	95.3	117	124	156	165	191	210	254	318	381	445	521	
	D	14.3	15.9	17.5	20.6	22.2	25.4	28.6	31.8	36.5	41.3	47.6	50.8	
	E	100	100	114	144	176	207	229	245	283				
	F	37	37	49	65	81	102	114	140	159	194	194	260	
	O	34.9	42.9	50.8	73.0	92.1	105	127	157	216	270	324	381	
	P	157	157	171	210	265	297	325	343	403	506	510	546	
	Weight(SW)	3.2	3.2	4.5	8.2	13	23	27						
	Weight(RF)	3.6	3.6	6.3	14	18	27	38	75	111	213	240	346	