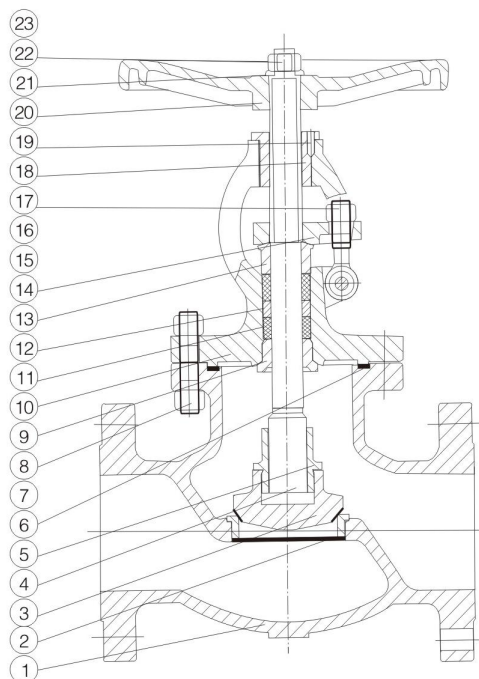


## Globe Valve

Gate Valve, Globe Valve, Plug Valve, Check Valve, Butterfly Valve ,  
Power Station Valve ,Oilfield Dedicated Valve Y-Strainer.



OS & Y, Rising Stem, Plug Type Disc Bolted  
Bonnet, Threaded Seat Ring

### STANDARDS COMPLIANCE:

Basic Design: BS1873

Face to Face Dimension: ANSI B16.10

End to End Dimension: ANSI B16.10

Flanged Ends to ANSI B16.5

B. W. Ends to ANSI B16.25

Manufacturing to NACE MR-01-75 on request

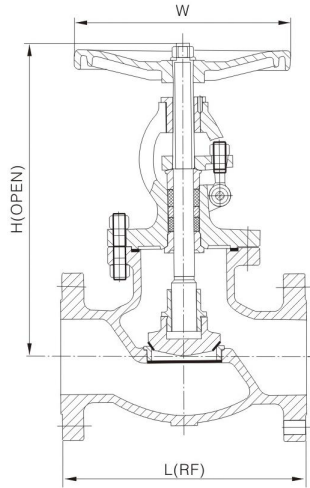
### Standard Material Specifications

No	Part Name	Carbon steel to ASTM		Alloy steel to ASTM			Stainless Steel to ASTM			
		WCB	LCB	WC6	WC9	C5	CF8	CF8M	CF3	CF3M
1	Body	A216 WCB	A352 LCB	A217 WC6	A217 WC9	A217 C5	A351 CF8	A351 CF8M	A351 CF3	A351 CF3M
2	Seat Ring	A105	A350 LF2	A182 F11	A182 F22	A182 F5	A182 F304	A182 F316	A182 F304L	A182 F316L
3	Disc	A105	A250 LF2	A182 F11	A182 F22	A182 F5	A182 F304	A182 F316	A182 F304L	A182 F316L
4	Stem	A182 F6	A182 F6	A182 F304			A182 F304	A182 F316	A182 F304L	A182 F316L
5	Disc nut	A182 F6	A182 F6	A182 F304			A182 F304	A182 F316	A182 F304L	A182 F316L
6	Gasket	SS Spiral Wound/graphite or SS Spiral Wound/PTFE								
7	Bonnet nut	A194 2H	A194 4	A194 7			A194 8			
8	Bonnet bolt	A193 B7	A320 L7	A193 B16			A193 B8			
9	Backseat bushing	A182 B6	A182 F6	A182 F304			A182 F304	A182 F316	A182 F304L	A182 F316L
10	Bonnet	A216 WCB	A352 LCB	A217 WC6	A217 WC9	A217 C5	A351 CF8	A351CF8M	A351CF3	A351 CF3M
11	Lantern	A182 F6	A182 F6	A182 F304			A182 F304	A182 F304L	A182 F304	A182 F316L
12	Stem Packing	Graphite or PTFE								
13	Gland	A182 F6			A182 F304			A182 F316	A182 F316	A182 F316L
14	Gland Flange	A216 WCB			A351 CF8					
15	Gland Nut	A194 2H			A194 8					
16	Gland Eyebolt	A194 B7			A193 B8					
17	Pin	Carbon steel or Stainless Steel								
18	Stem Nut	A439 D2 or B148-952A								
19	Screw	Carbon steel								
20	Hand Wheel	Ductile Iron or carbon steel								
21	Name Plate	Stainless steel or Aluminum								
22	Washer	Carbon steel								
23	Nut	Carbon steel or Stainless Steel								

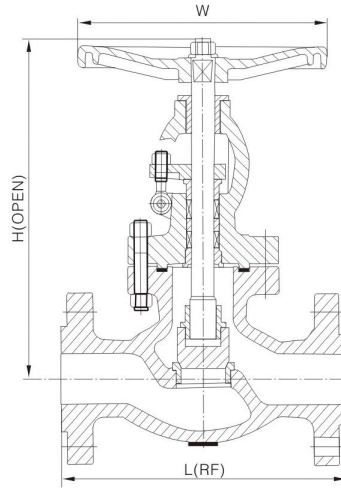
Other materials(Alloy 20, Aisi321, Aisi347, Monel, Hastelloy, etc.)are available on request.

# Globe Valve

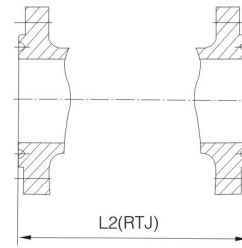
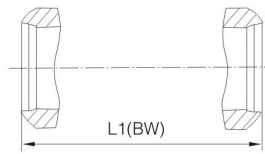
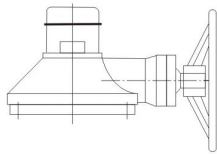
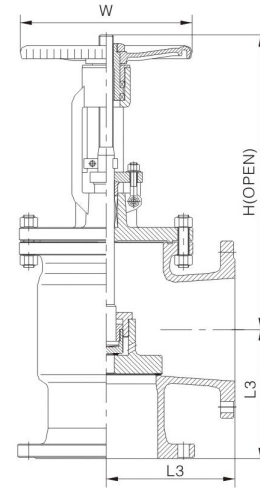
Gate Valve, Globe Valve, Plug Valve, Check Valve, Butterfly Valve , Power Station Valve , Oilfield Dedicated Valve Y-Strainer.



Class 150~300



Class 600~1500



## Test Pressure to API598

Class	Body Material	Shell Test (Hydrostatic)	Seat Test (Hydrostatic)	Seat Test (Air)
150	WCB	450psi	315psi	80psi
	WC6	450psi	319psi	
	CF8M	425psi	303psi	
300	WCB	1125psi	814psi	80psi
	WC6	1125psi	825psi	
	CF8M	1100psi	792psi	
600	WCB	2225psi	1628psi	80psi
	WC6	2250psi	1650psi	
	CF8M	2175psi	1548psi	
900	WCB	3350psi	2442psi	80psi
	WC6	3375psi	2475psi	
	CF8M	3250psi	2376psi	
1500	WCB	5575psi	4078psi	80psi
	WC6	5625psi	4125psi	
	CF8M	5400psi	3960psi	

## Globe Valve

Gate Valve, Globe Valve, Plug Valve, Check Valve, Butterfly Valve ,  
Power Station Valve ,Oilfield Dedicated Valve Y-Strainer.

### Dimensions and Weights

Class 150										
NPS	in	2	2-1/2	3	4	5	6	8	10	12
DN	mm	50	65	80	100	125	150	200	250	300
L-L1 (RF-BW)	in	8	8-1/2	9-1/2	11-1/2	14	16	19-1/2	24-1/2	27-1/2
	mm	203	216	241	292	356	406	495	622	698
L2 (RTJ)	in	8-1/2	9*	10	12	14-1/2	16-1/2	20	25	28
	mm	216	229	254	305	368	419	508	635	711
L3	mm	102	108	121	146	178	203	248	311	349
H (OPEN)	in	14-11/16	15-3/8	16-9/16	20-1/4	21-3/16	22-5/15	24-5/8	28	39
	mm	373	390	421	515	538	567	626	712	990
W	in	7-7/8	9-7/8	9-7/8	11-13/16	11-13/16	13-3/4	15-3/4	17-3/4	24
	mm	200	250	250	300	300	350	400	450	610
WT	RF	22	29	42	64	77	105	154	288	507
(KG)	BW	19	25	34	49	65	82	131	249	430

Class 300										
NPS	in	2	2-1/2	3	4	5	6	8	10	12
DN	mm	50	65	80	100	125	150	200	250	300
L-L1 (RF-BW)	in	10-1/2	11-1/2	12-1/2	14	15-3/4	17-1/2	22	24-1/2	28
	mm	267	292	318	356	400	444	559	622	711
L2 (RTJ)	in	11-1/8	12-1/8	13-1/8	14-5/8	16-3/8	18-1/8	22-5/8	25-1/8	28-5/8
	mm	283	308	333	371	416	460	575	638	727
L3	mm	133	146	159	178	200	222	279	311	356
H (OPEN)	in	15-11/16	17-1/8	18-3/16	22-1/16	24-3/8	27-5/16	38-5/8	44-1/2	41-5/16
	mm	398	436	462	560	620	694	982	1130	1049
W	in	7-7/8	9-7/8	9-7/8	13-3/4	15-3/4	17-3/4	22-1/16	34	18-1/8
	mm	200	250	250	350	400	450	560	864	460*
WT	RF	31	43	57	86	130	168	280	385	724
(KG)	BW	26	28	44	68	110	138	228	329	618

Class 600										
NPS	in	2	2-1/2	3	4	6	8	10	12	
DN	mm	50	65	80	100	150	200	250	300	
L-L1 (RF-BW)	in	11-1/2	13	14	17	22	26	31	33	
	mm	292	330	356	432	559	660	787	838	
L2 (RTJ)	in	11-5/8	13-1/8	14-1/8	17-1/8	22-1/8	26-1/8	31-1/8	33-1/8	
	mm	295	333	359	435	562	664	791	840	
H (OPEN)	in	16-3/4	19-3/4	20-1/2	24-3/8	34-7/8	36-11/16	41	50-3/8	
	mm	425	502	521	620	886	932	1040	1280	
W	in	9-7/8	11-13/16	13-3/4	17-3/4	28-3/8	18-1/8	24	30	
	mm	250	300	350	450	720	460*	610*	760*	
WT	RF	39	58	73	120	327	482	700	900	
(KG)	BW	33	48	61	95	261	385	588	795	

\*Manual gear operator is recommended

## Globe Valve

Gate Valve, Globe Valve, Plug Valve, Check Valve, Butterfly Valve, Power Station Valve, Oilfield Dedicated Valve Y-Strainer.

### Dimensions and Weights

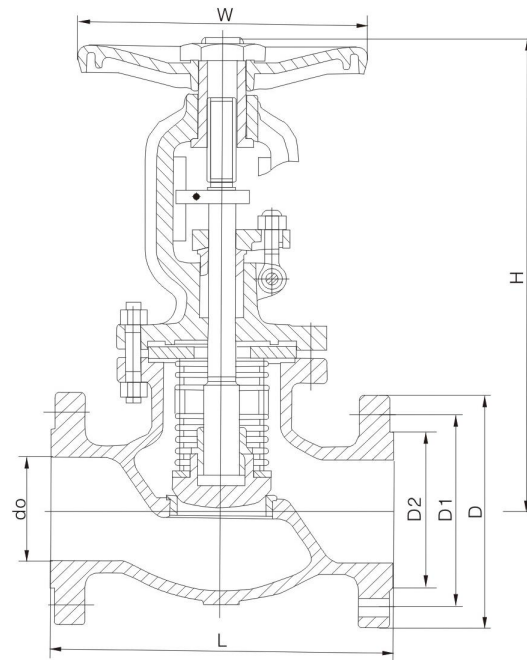
Class 900							
NPS	in	2	2-1/2	3	4	6	8
DN	mm	50	65	80	100	150	200
L-L1 (RF-BW)	in	14-1/2	16-1/2	15	18	24	29
	mm	368	419	381	457	610	737
L2 (RTJ)	in	14-5/8	16-5/8	15-1/8	18-1/8	24-1/8	29-1/8
	mm	371	422	384	460	613	740
H (OPEN)	in	9-7/16	10-1/4	10-1/4	12-5/8	15	20-7/8
	mm	240	260	260	320	382	530
W	in	13-3/4	15-3/4	17-3/4	22-1/16	18-1/8	24
	mm	350	400	450	560	460*	610*
WT (kg)	RF	100	118	131	218	452	710
	BW	75	94	105	185	340	630

Class 1500							
NPS	in	2	2-1/2	3	4	6	8
DN	mm	50	65	80	100	150	200
L-L1 (RF-BW)	in	14-1/2	16-1/2	18-1/2	21-1/2	27-3/4	32-3/4
	mm	368	419	470	546	705	832
L2 (RTJ)	in	14-5/8	16-5/8	18-5/8	21-5/8	28	33-1/8
	mm	371	422	473	549	711	841
H (OPEN)	in	23-5/16	26	27-1/4	35-11/16	40	45-1/16
	mm	592	660	692	907	1015	1145
W	in	13-3/4	15-3/4	17-3/4	18-1/8	24	24
	mm	350	400	450	460*	610*	610*
WT (KG)	RF	112	141	228	336	650	762
	BW	84	115	183	277	515	630

\*Manual gear operator is recommended

## ANSI More Arrangement Bellows Globe Valve

Gate Valve, Globe Valve, Plug Valve, Check Valve, Butterfly Valve, Power Station Valve, Oilfield Dedicated Valve Y-Strainer.



### Main External and Connecting Dimensions

Nominal Pressure (Mpa)	NPS Nominal Diameter (In)	Dimension (mm)						
		do	D	D1	D2	L	H	W
150LB	2	51	152	120.5	92	203	360	180
	2 1/2	64	178	139.5	105	216	390	180
	3	76	190	152.5	127	241	410	280
	4	102	229	190.5	157	292	460	300
	5	127	254	216	186	356	480	320
	6	152	279	241.5	216	406	500	320
	8	203	343	198.5	270	495	560	400
	10	254	406	362	324	622	620	500
	12	305	483	432	381	698	690	600
	14	337	533	476	413	787	770	650
300LB	2	51	165	127	92	267	370	180
	2 1/2	84	190	149	105	292	400	280
	3	76	210	168.5	127	318	420	280
	4	102	254	200	157	356	470	280
	5	127	279	235	186	400	490	320
	6	152	318	270	216	444	510	320
	8	203	381	330	270	559	570	400
	10	254	445	387.5	324	622	630	500
	12	305	521	451	381	711	700	600
	14	337	584	514.5	413	838	780	650